

DS-2CD2625G1-IZ(S) 2 MP IR Varifocal Bullet Network Camera



Key Features

- 1/2.8" Progressive Scan CMOS
- 1920 × 1080 @30fps
- Powered by Darkfighter
- H.265, H.265+
- 120dB WDR
- IP67, IK10
- IR range: up to 50 m
- BLC/3D DNR/ROI/HLC
- Smart encoding: Support low bit rate, low latency
- 4 behavior analyses and face detection
- Color: 0.005 Lux @ (F1.2, AGC ON), 0 Lux with IR
Color: 0.0068 Lux @ (F1.4, AGC ON), 0 Lux with IR

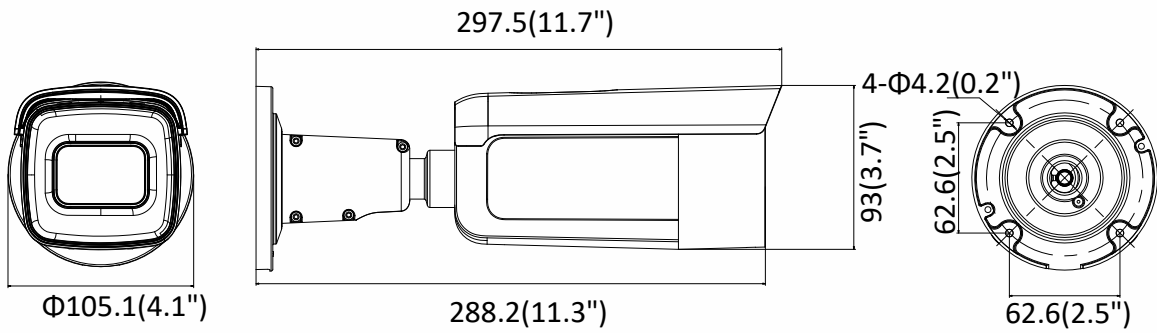


Specifications

Camera	
Image Sensor	1/2.8" Progressive Scan CMOS
Min. Illumination	Color: 0.005 Lux @ (F1.2, AGC ON), 0 Lux with IR Color: 0.0068 Lux @ (F1.4, AGC ON), 0 Lux with IR
Shutter Speed	1/3 s to 1/100,000 s
Slow Shutter	Yes
Day & Night	IR Cut Filter
Digital Noise Reduction	3D DNR
WDR	120dB
3-Axis Adjustment	Pan: 0° to 360°, tilt: 0° to 90°, rotate: 0° to 360°
Lens	
Focal length	2.8 to 12 mm
Lens Type	Motorized
Aperture	F1.4
Focus	Auto
FOV	Horizontal field of view: 105° to 35° Vertical field of view: 56° to 20° Diagonal field of view: 126° to 40.5°
Lens Mount	Φ14
IR	
IR Range	Up to 50 m
Wavelength	850nm
Compression Standard	
Video Compression	Main stream: H.265/H.264 Sub stream: H.265/H.264/MJPEG Third stream: H.265/H.264
H.264 Type	Main Profile/High Profile
H.264+	Main stream supports
H.265 Type	Main Profile
H.265+	Main stream supports
Video Bit Rate	32 Kbps to 16 Mbps
Smart Feature-set	
Behavior Analysis	Line crossing detection, intrusion detection, unattended baggage detection, object removal detection
Exception Detection	Scene change detection
Face Detection	Yes
Region of Interest	Support 1 fixed region for main stream and sub-stream
Image	
Max. Resolution	1920 × 1080
Main Stream	50Hz: 25fps (1920 × 1080, 1280 × 960, 1280×720) 60Hz: 30fps (1920 × 1080, 1280 × 960, 1280×720)
Sub Stream	50Hz: 25fps (640 × 480, 640 × 360, 320 × 240) 60Hz: 30fps (640 × 480, 640 × 360, 320 × 240)
Third Stream	50Hz: 25fps (1920 × 1080, 1280×720, 640 × 360, 352 × 288)

	60Hz: 30fps (1920 × 1080, 1280×720, 640 × 360, 352 × 240)
Image Enhancement	BLC/3D DNR/HLC
Available Model:	
Image Setting	Rotate mode, saturation, brightness, contrast, sharpness and white balance adjustable by client software or web browser
DS-2CD2625G1-IZ(2.8 to 12 mm), DS-2CD2625G1-IZS(2.8 to 12 mm)	
Day/Night Switch	Day/Night/Auto/Schedule/Triggered by Alarm In (-S)
Network	
Network Storage	Support Micro SD/SDHC/SDXC card (128G), local storage and NAS (NFS,SMB/CIFS), ANR
Alarm Trigger	Motion detection, video tampering, network disconnected, IP address conflict, illegal login, HDD full, HDD error, Alarm input, Alarm output
Protocols	TCP/IP, ICMP, HTTP, HTTPS, FTP, DHCP, DNS, DDNS, RTP, RTSP, RTCP, PPPoE, NTP, UPnP, SMTP, SNMP, IGMP, 802.1X, QoS, IPv6, Bonjour
General Function	One-key reset, anti-flicker, three streams, heartbeat, password protection, privacy mask, watermark, IP address filter
Firmware Version	V5.5.80
API	ONVIF (PROFILE S, PROFILE G), CGI, ISAPI
Simultaneous Live View	Up to 6 channels
User/Host	Up to 32 users 3 levels: Administrator, Operator and User
Client	iVMS-4200, Hik-Connect, iVMS-5200, iVMS-4500
Web Browser	Plug-in required live view: IE8+, Chrome 41.0-44, Firefox 30.0-51, Safari 8.0-11 Plug-in free live view: Chrome 45.0+, Firefox 52.0+
Interface	
Audio (-S)	1 input (line in), 1 output, mono sound, terminal block
Communication Interface	1 RJ45 10M/100M self-adaptive Ethernet port
Alarm (-S)	1 input, 1 output (max. 12 VDC, 30 mA), terminal block
Video Output	1Vp-p composite output (75 Ω) (For adjustment only)
On-board storage	Built-in Micro SD/SDHC/SDXC slot, up to 128 GB
SVC	Support H.264 and H.265 encoding
Reset Button	Yes
Audio (-S)	
Environment Noise Filtering	Yes
Audio Sampling Rate	8kHz/16kHz/32kHz/44.1kHz/48kHz
Audio Compression	G.711/G.722.1/G.726/MP2L2/PCM
Audio Bit Rate	64Kbps(G.711)/16Kbps(G.722.1)/16Kbps(G.726)/32-192Kbps(MP2L2)
General	
Operating Conditions	-30 °C to +60 °C (-22 °F to +140 °F), Humidity 95% or less (non-condensing)
Power Supply	12 VDC ± 25%, Φ5.5mm coaxial power plug; PoE (802.3at)
Power Consumption and Current	12 VDC, 1.2A, max. 14.5W PoE (802.3at, 42.5V to 57V), 0.5A to 0.1A, max. 16.5W
Protection Level	IP67, IK10
Material	Metal
Dimensions	Φ105.1 × 297.5 mm (Φ4.1"× 11.7")
Weight	Camera: Approx. 1335 g (2.9 lb.) With Package: 2004g (4.4lb.)

Dimensions



Unit:mm(inch)

Accessories



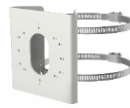
DS-1276ZJ-SUS
Corner Mount



DS-1260ZJ
Junction Box



DS-1280ZJ-S
Junction Box



DS-1275ZJ-S-SUS
Vertical Pole Mount

Distributed by



HIKVISION®

Headquarters

No.555 Qianmo Road, Binjiang District,
Hangzhou 310051, China
T +86-571-8807-5998
overseasbusiness@hikvision.com

Hikvision USA
T +1-909-895-0400
sales.usa@hikvision.com

Hikvision Italy
T +39-0438-6902
info.it@hikvision.com

Hikvision Singapore
T +65-6684-4718
sg@hikvision.com

Hikvision Africa
T +27 (10) 0351172
sale.africa@hikvision.com

Hikvision Europe
T +31-23-55-42-770
info.eu@hikvision.com

Hikvision France
T +33(0)1-85-330-450
info.fr@hikvision.com

Hikvision Oceania
T +61-2-8599-4233
salesau@hikvision.com

Hikvision Hong Kong
T +852-2151-1761

Hikvision Middle East
T +971-4-8816086
salesme@hikvision.com

Hikvision Spain
T +34-91-737-16-55
info.es@hikvision.com

Hikvision Canada
T +1-909-895-0400
sales.usa@hikvision.com

Hikvision Russia
T +7-495-669-67-99
saleru@hikvision.com

Hikvision Poland
T +48-22-460-01-50
poland@hikvision.com

Hikvision Korea
T +82-31-731-8841
sales.korea@hikvision.com

Hikvision India
T +91-22-28469900
sales@pramahikvision.com

Hikvision UK
T +01628-902140
support.uk@hikvision.com

Hikvision Brazil
T +55 11 3318-0050
Latam.support@hikvision.com

05058020190315